

Free

Free 2

Free 3



EMUCA, S.A.
 Valencia (España)
 Tel: +34 96 166 70 19
 Fax: +34 96 166 71 82



EMUCA, S.r.l.
 Padova (Italy)
 Tel: 0039+ 0498702800
 Fax: 0039+ 0498703019





1 Perfil superior
Profilo superiore
Upper profile

2 Perfil inferior
Profilo inferiore
Down profile

Free
Free 2
Free 3

3 Perfiles horizontales
Profili orizzontali
Horizontal profiles

4 Travesaño
Traverso
Cross profile

5 Travesaño
Traverso
Cross profile

6 Perfiles verticales
Profili verticali
Vertical profiles

Superior
Superiore
Upper

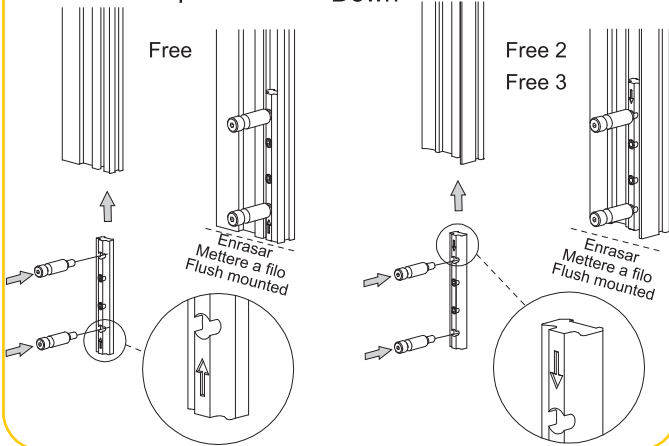
Enrasar
Mettere a filo
Flush mounted



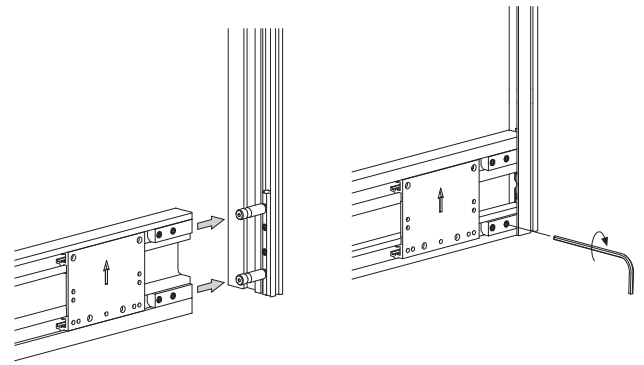


7 Perfiles verticales Profili verticali Vertical profiles

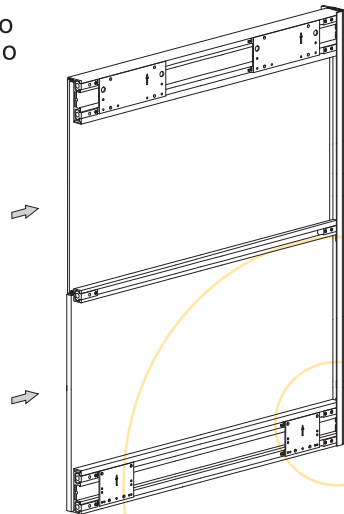
Inferior Inferiore Down



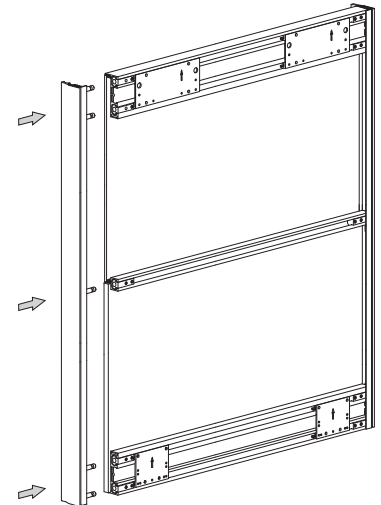
8 Ensamblaje perfiles horizontales Assemblaggio profili orizzontali Assembling horizontal profiles



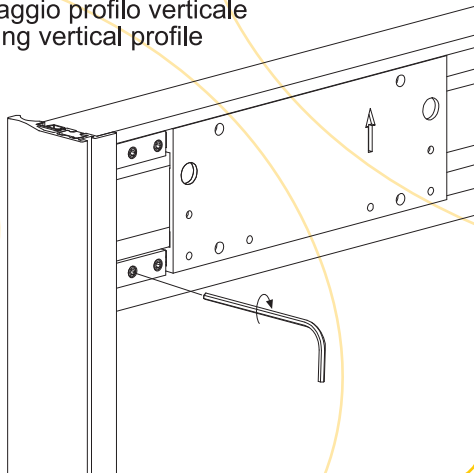
9 Cristal - Tablero Vetro - Pannello Glass - Board



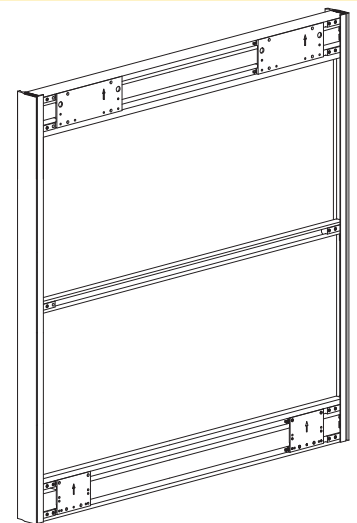
10 Perfil vertical Profilo verticale Vertical profile



11 Ensamblaje perfil vertical Assemblaggio profilo verticale Assembling vertical profile



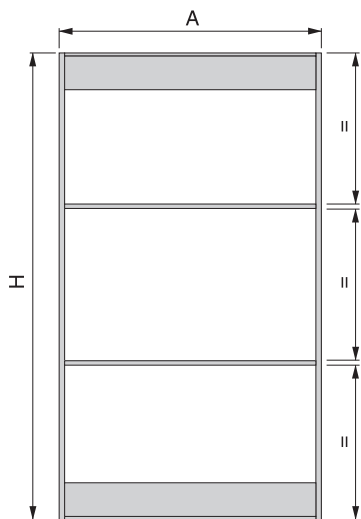
12 Puerta completa Porta completa Complete door





A = medida del cliente
 A = misura cliente
 A = cut to size

H = medida del cliente
 H = misura cliente
 H = cut to size



	Free	Free 2	Free 3
Tirador Maniglia Handle			
Tirador tapa Perfil maniglia spalla Handle profile with wing			
Vertical Verticale Vertical			
Superior Superiore Upper			
Inferior Inferiore Down			
Travesaño Intermedio Middle			

• Cálculo del cristal o tablero
 Calcolo del vetro o pannello
 How to calculate the glass and board

	Cristal-4/Tablero-11 Vetro-4/Pannello-11 Glass-4/Board-11	Tablero-10 Pannello-10 Board-10
Anchura Larghezza Width	A - 14	A - 13
Altura Altezza Heighs	$\frac{H - 5,5 - (4 \times N)}{N + 1}$	$\frac{H - 4,5 - (3 \times N)}{N + 1}$

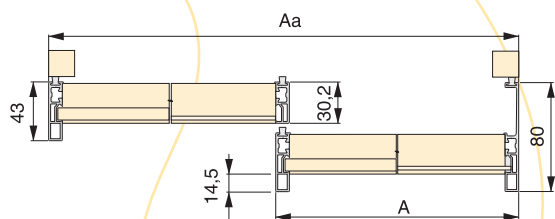
N = número de travesaños
 N = numero traversi
 N = number of cross-pieces

• Cálculo de la puerta
 Calcolo della porta
 How to calculate the door

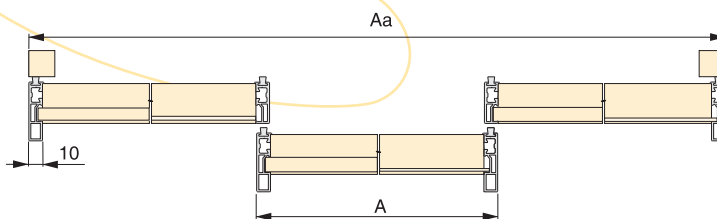
	2 puertas 2 porte 2 doors	3 puertas 3 porte 3 doors
A	$\frac{Aa + 8}{2}$	$\frac{Aa + 18}{3}$
Star / Master Lux		
H	Ha + 87	

Ha = altura total del armario
 Ha = altezza totale armadio
 Ha = total height of the cupboard

INSTALACIÓN DE 2 PUERTAS
 INSTALAZIONE DI 2 PORTE
 2 DOORS ASSEMBLING



INSTALACIÓN DE 3 PUERTAS
 INSTALAZIONE DI 3 PORTE
 3 DOORS ASSEMBLING



EMUCA, S.A.
 Valencia (España)
 Tel: +34 96 166 70 19
 Fax: +34 96 166 71 82



EMUCA, S.r.l.
 Padova (Italy)
 Tel: 0039+ 0498702800
 Fax: 0039+ 0498703019

