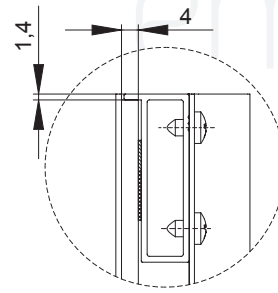
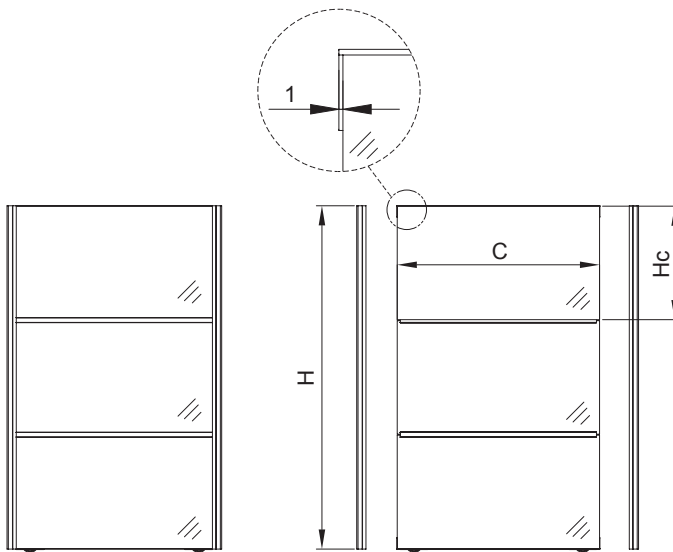


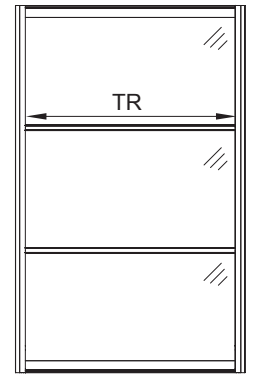
PLACARD glass / vetro / cristal / verre / vidro

1

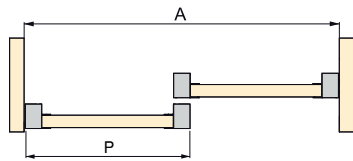


$$Hc = \frac{H - 3 - (4 \times N)}{N + 1}$$

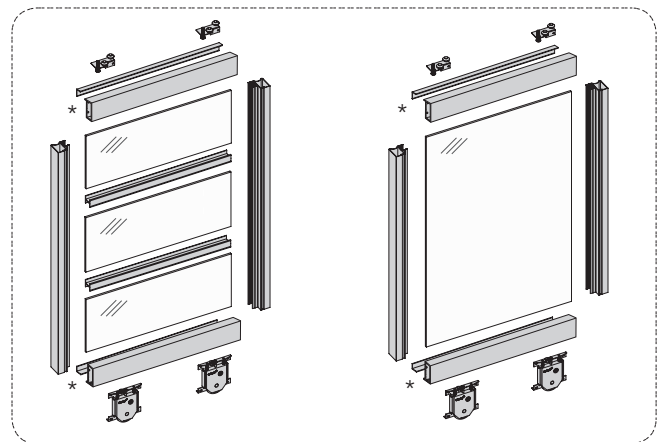
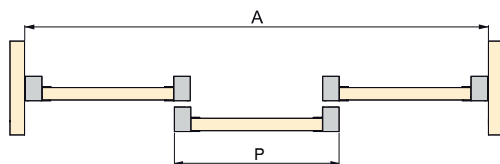
N = number of cross/pieces  
 N = numero traversi  
 N = números de travesaños  
 N = nombre de traverses  
 N = número de janelas  
 (perfis de divisões horizontais)



2 doors / 2 porte / 2 puertas / 2 portes / 2 portas



3 doors / 3 porte / 3 puertas / 3 portes / 3 portas



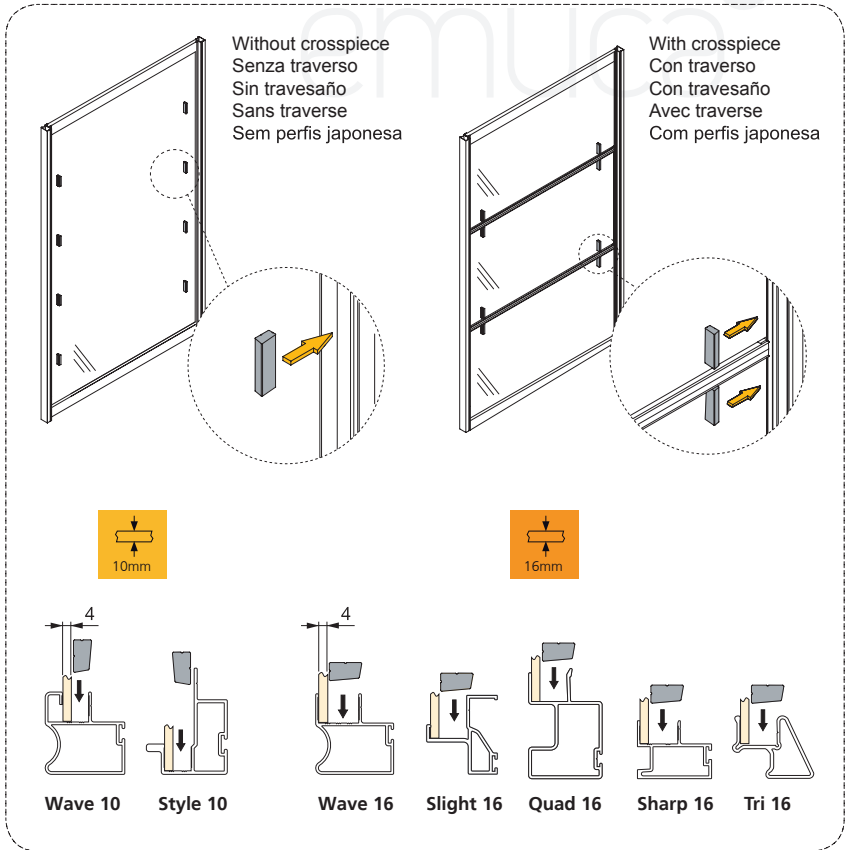
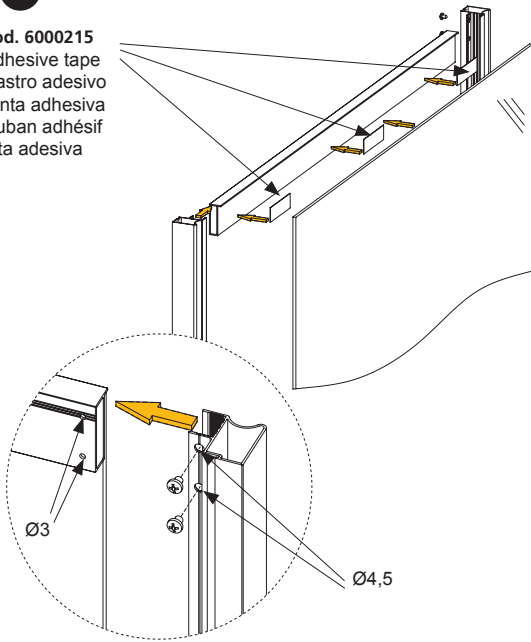
HANDLE PROFILE PROFILE MANIGLIA PERFIL TIRADOR PROFIL POIGNÉE PERFIL PUXADOR	Glass width Larghezza vetro Ancho cristal Largeur verre Largura vidro		Crosspieces width Larghezza traverso Ancho travesaño Largeur traverse Largura perfil japonesa		Upper and lower profile width Larghezza profilo superiore e inferiore Ancho perfil superior e inferior Largeur profil supérieur et inférieur Largura perfil superior e inferior		Door width Larghezza porte Ancho puerta Largeur portes Largura portas	
Style	$C = \frac{A + 12}{2}$	$C = \frac{A + 29}{3}$	$TR = \frac{A - 92}{2}$	$TR = \frac{A - 31}{3}$	$PS = \frac{A + 16}{2}$	$PS = \frac{A + 35}{3}$	$P = \frac{A + 22}{2}$	$P = \frac{A + 44}{3}$
Wave	$C = \frac{A - 68}{2}$	$C = \frac{A - 92}{3}$	$TR = \frac{A - 112}{2}$	$TR = \frac{A - 158}{3}$	$PS = \frac{A - 64}{2}$	$PS = \frac{A - 86}{3}$	$P = \frac{A + 20}{2}$	$P = \frac{A + 40}{3}$
Slight	$C = \frac{A - 46}{2}$	$C = \frac{A - 58}{3}$	$TR = \frac{A - 68}{2}$	$TR = \frac{A - 91}{3}$	$PS = \frac{A - 42}{2}$	$PS = \frac{A - 52}{3}$	$P = \frac{A + 28}{2}$	$P = \frac{A + 53}{3}$
Sharp	$C = \frac{A - 49}{2}$	$C = \frac{A - 66}{3}$	$TR = \frac{A - 85}{2}$	$TR = \frac{A - 90}{3}$	$PS = \frac{A - 45}{2}$	$PS = \frac{A - 60}{3}$	$P = \frac{A + 15}{2}$	$P = \frac{A + 30}{3}$
Quad	$C = \frac{A - 109}{2}$	$C = \frac{A - 146}{3}$	$TR = \frac{A - 157}{2}$	$TR = \frac{A - 218}{3}$	$PS = \frac{A - 105}{2}$	$PS = \frac{A - 140}{3}$	$P = \frac{A + 35}{2}$	$P = \frac{A + 70}{3}$
Tri	$C = \frac{A - 49}{2}$	$C = \frac{A - 66}{3}$	$TR = \frac{A - 93}{2}$	$TR = \frac{A - 90}{3}$	$PS = \frac{A - 45}{2}$	$PS = \frac{A - 60}{3}$	$P = \frac{A + 15}{2}$	$P = \frac{A + 30}{3}$

Cod. 900025

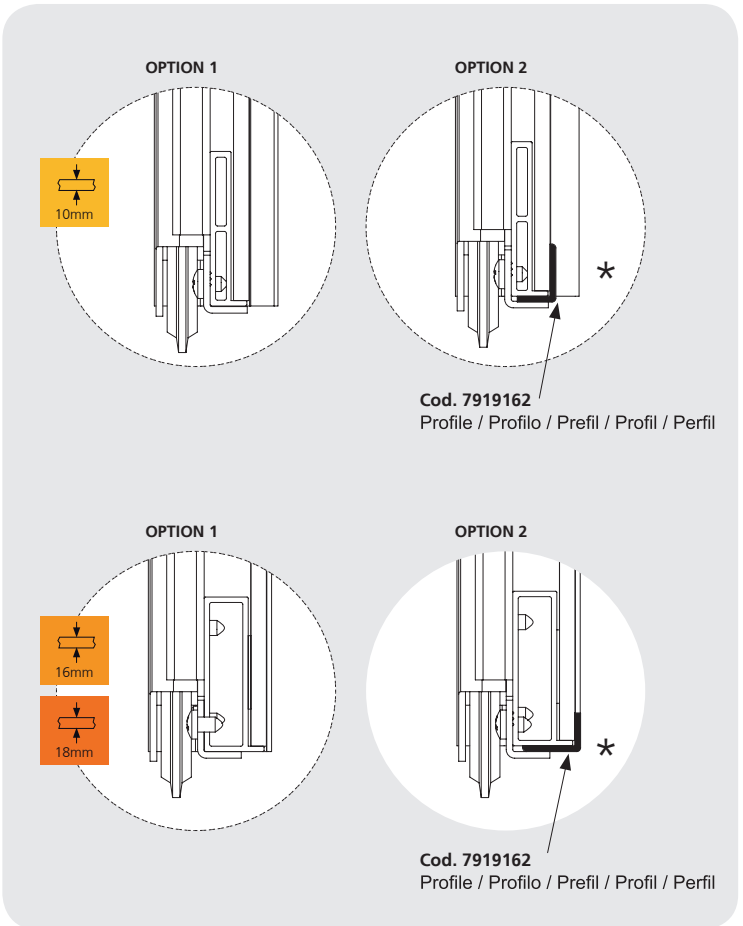
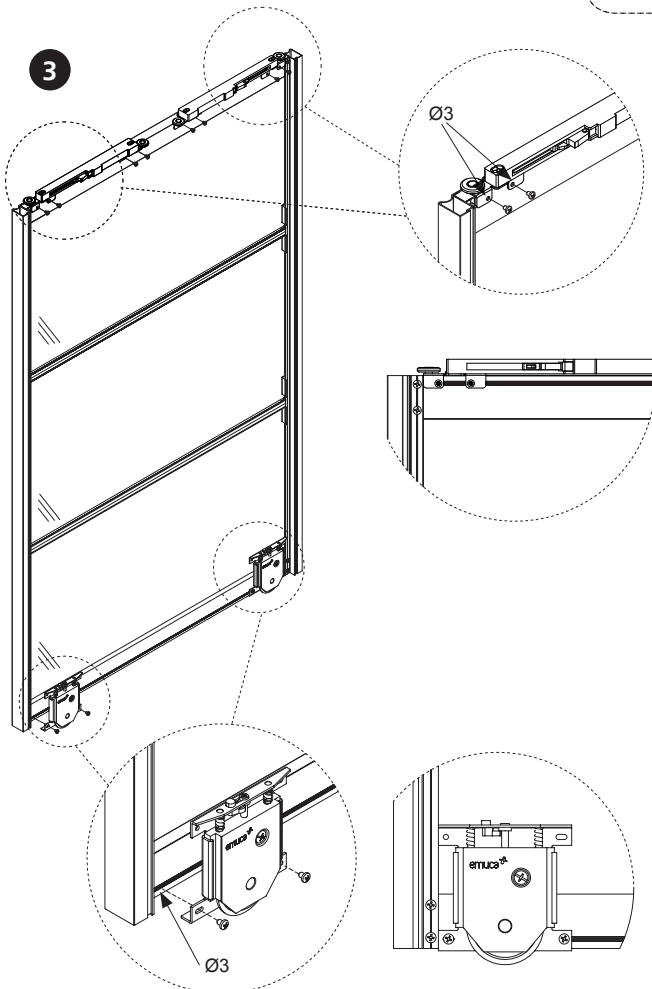
PLACARD glass / vetro / cristal / verre / vidro

2

Cod. 6000215  
Adhesive tape  
Nastro adesivo  
Cinta adhesiva  
Ruban adhésif  
Fita adesiva



3



Cod. 900025