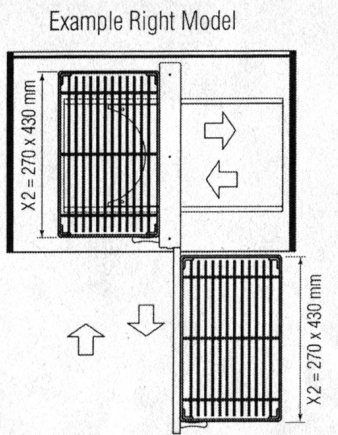


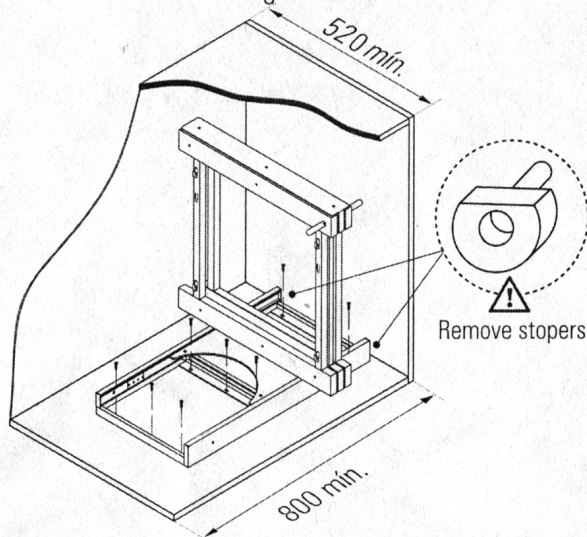
ASSEMBLY INSTRUCTIONS - COMPLETE PULL OUT MAGIC CORNER: 40 CM

F19029

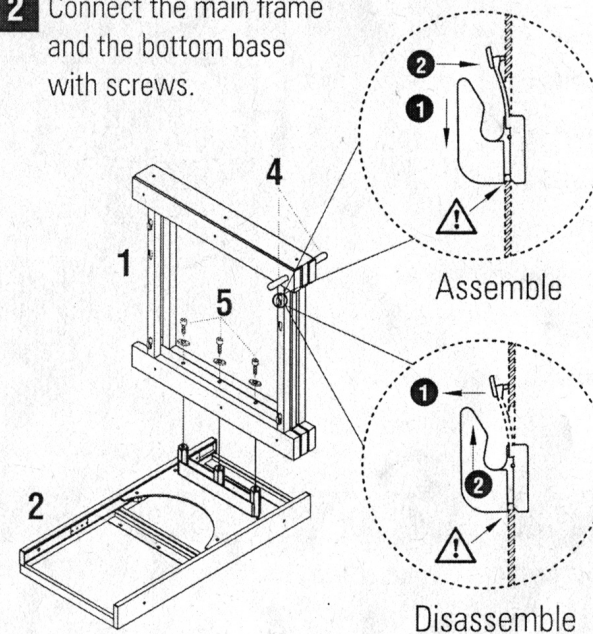
N°	Description	Cant.
1	Bottom Frame	1 Set
2	Bottom Base	1 Set
3	Baskets	4 Pcs
4	Handle	2 Pcs
5	Screw M6X16 / Washers	3 Pcs
6	Covers	2 Set
7	Plastic Stoppers 5mm	2 Pcs
8	Plastic Stoppers 23mm	2 Pcs



1 Remove anchored stopers. Fix the main frame to the bottom base of the cabinet according to the model.

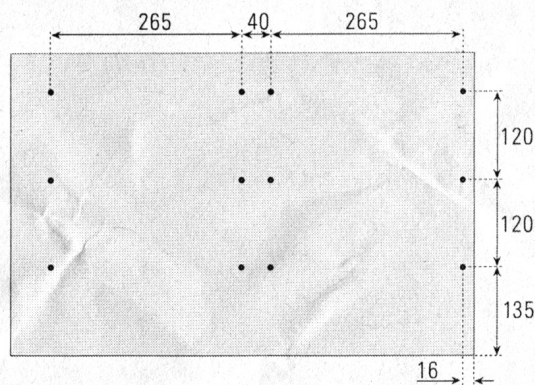


2 Connect the main frame and the bottom base with screws.

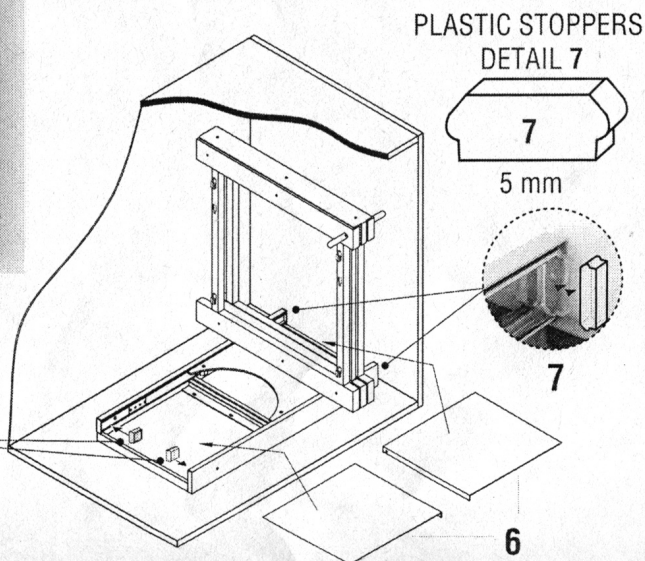


ASSEMBLY SIZES

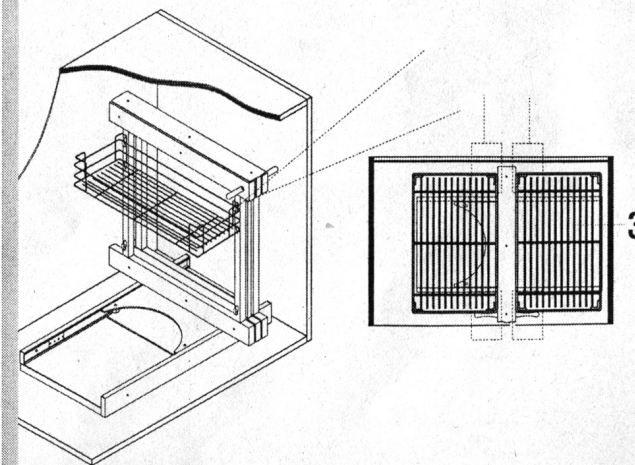
Mod. Right - Door 40 cm



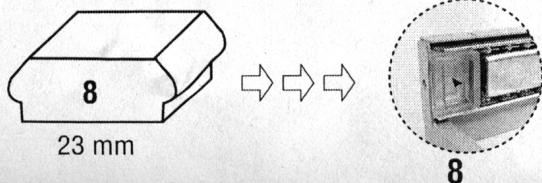
3 Lay the covers onto the bottom base as above. Put the plastic stoppers on the slides.



4 Put the baskets on to finish.



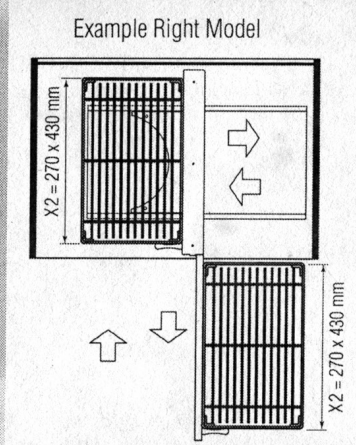
PLASTIC STOPPERS DETAIL 8



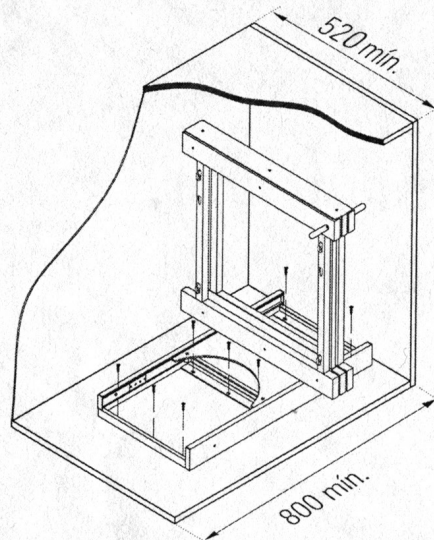
ASSEMBLY INSTRUCTIONS - COMPLETE PULL OUT MAGIC CORNER: 45 CM

F19029

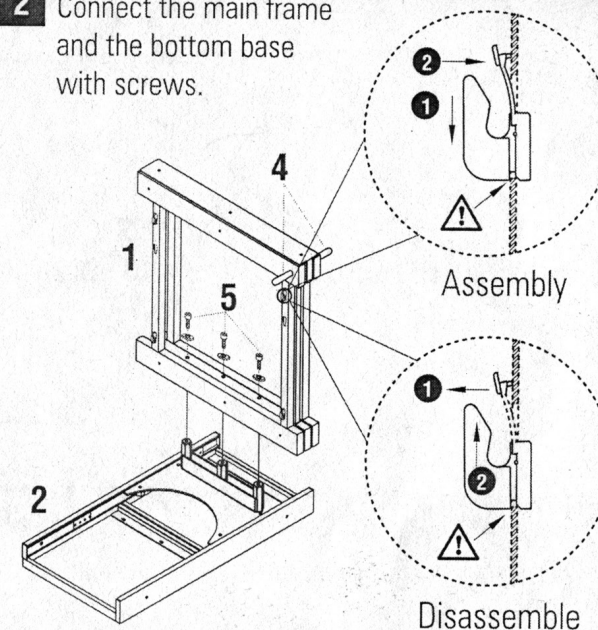
N°	Description	Cant.
1	Bottom Frame	1 Set
2	Bottom Base	1 Set
3	Baskets	4 Pcs
4	Handle	2 Pcs
5	Screw M6X16 / Washers	3 Pcs
6	Covers	2 Set



1 Fix the main frame to the bottom base of the cabinet according to the model.

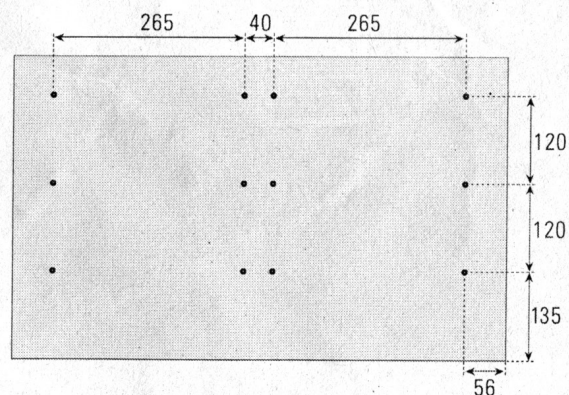


2 Connect the main frame and the bottom base with screws.

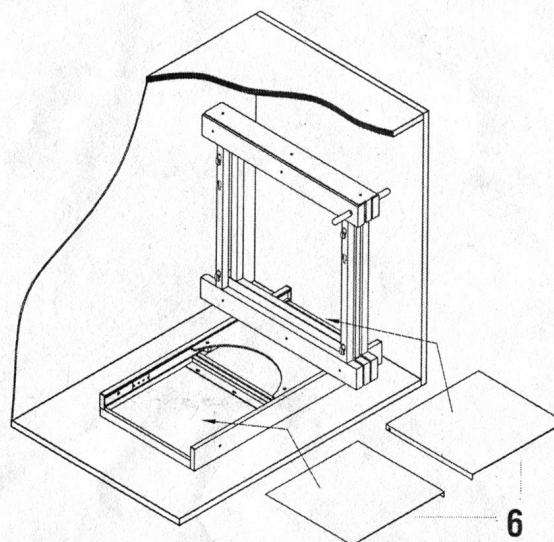


ASSEMBLY SIZES

Mod. Right - Door 45 cm



3 A - Lay the covers onto the bottom base as above.



4 Put the baskets on to finish.

