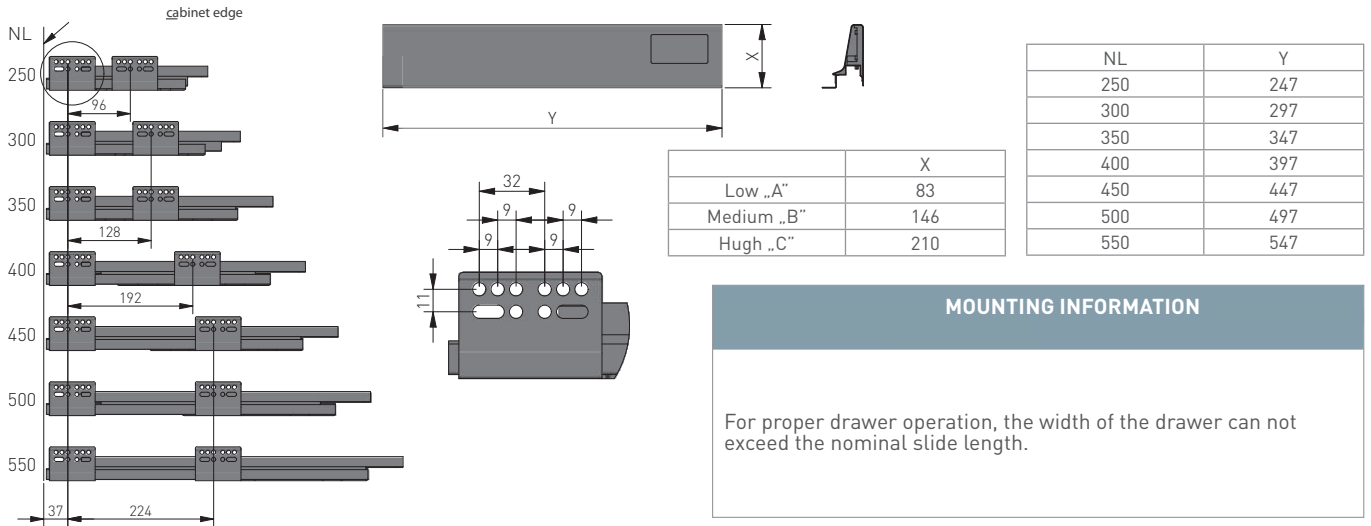


MOUNTING DIMENSIONS

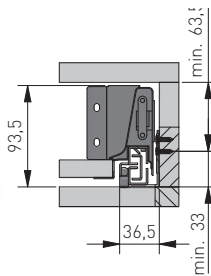


MOUNTING INFORMATION

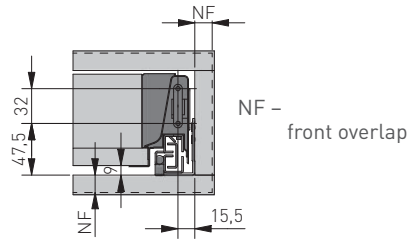
For proper drawer operation, the width of the drawer can not exceed the nominal slide length.

MOUNTING DIMENSIONS FOR LOW DRAWER

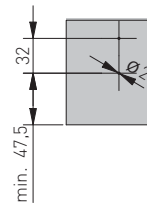
Min. cabinet height



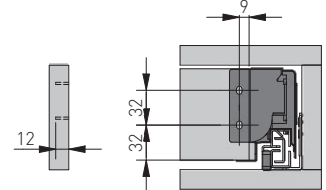
Front mounting dimensions



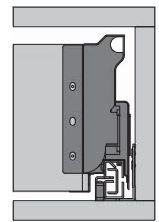
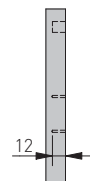
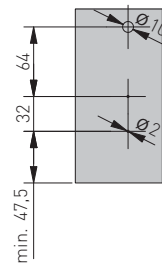
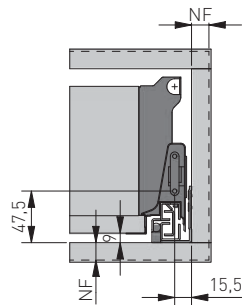
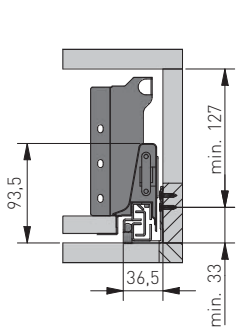
Front



Back panel mounting dimensions

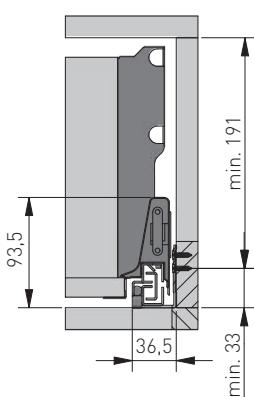


MOUNTING DIMENSIONS FOR MEDIUM

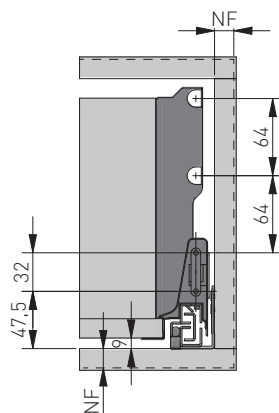


MOUNTING DIMENSIONS FOR HIGH DRAWER

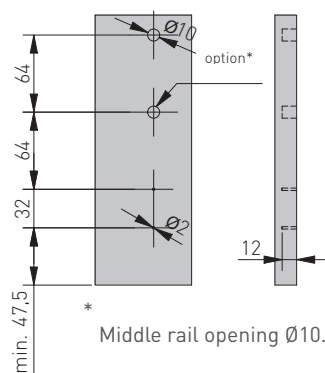
Min. cabinet height



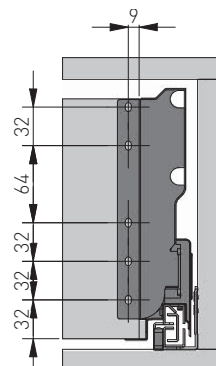
Front mounting dimensions



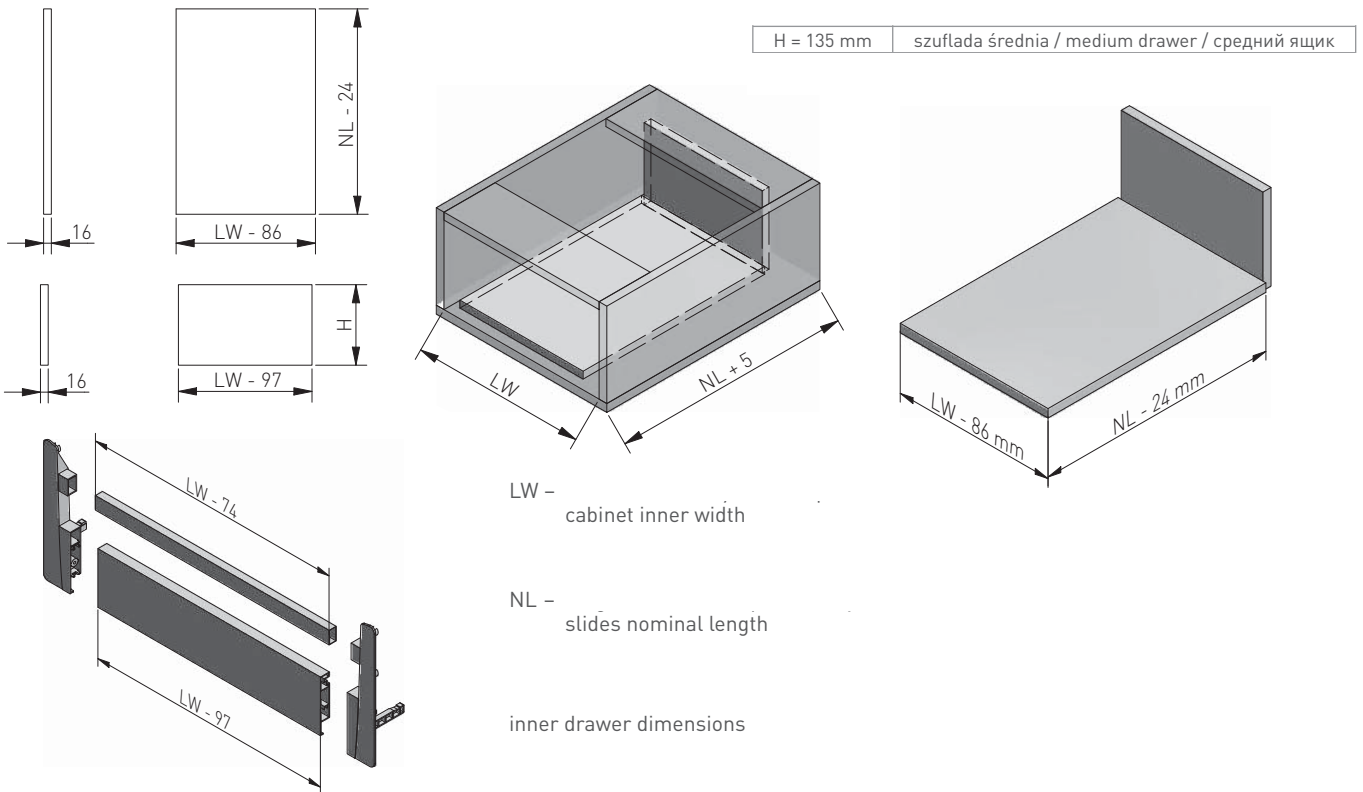
Front



Back panel mounting dimensions

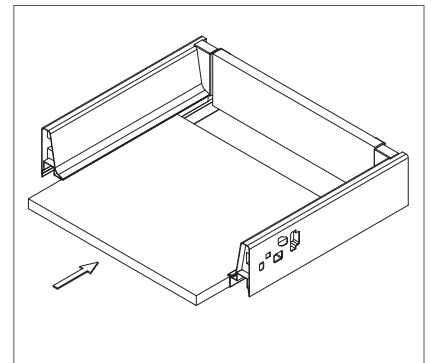
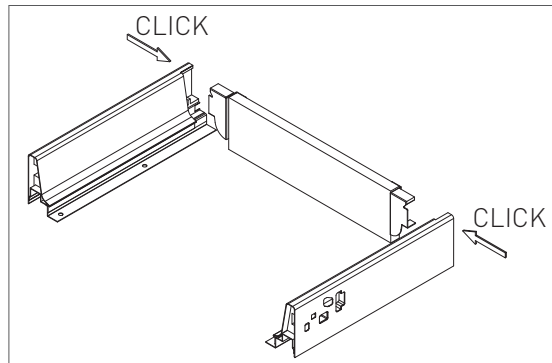
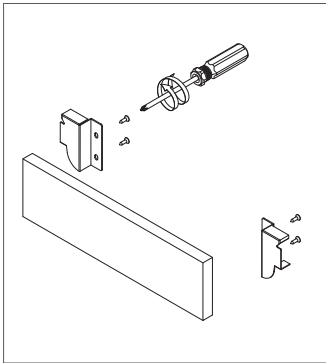


DRAWER ELEMENTS DIMENSIONS FOR 16 MM BOARD



INSTALLATION OF WOOD DRAWER

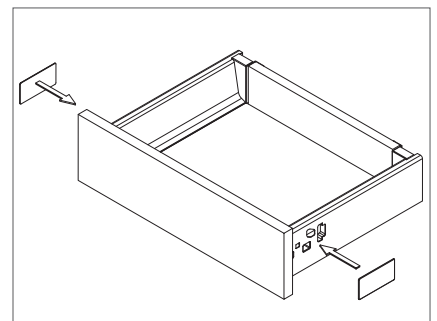
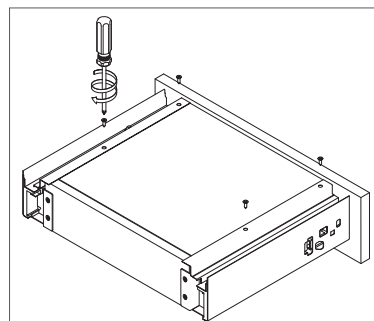
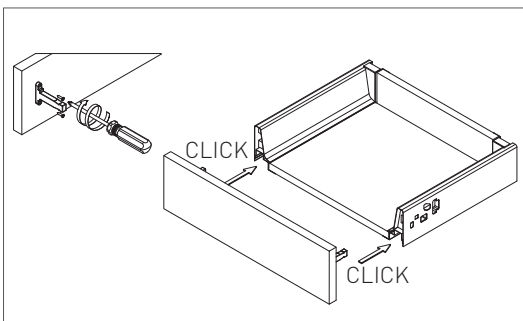
1. Fit back Fixing-brackets with screwdriver
2. Assemble back to sides
3. Slide wood bottom into position



4. Fit front-fixing brackets. Assemble front to sides

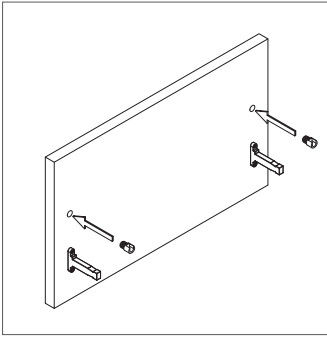
5. Drill holes and -x screws on the bottom

6. Fit cover caps

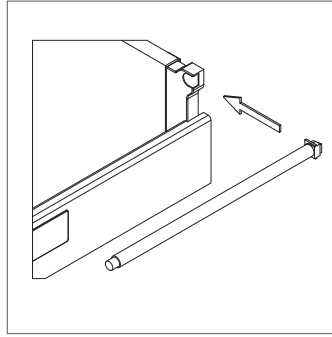


INSTALLATION OF SIDE RAILS

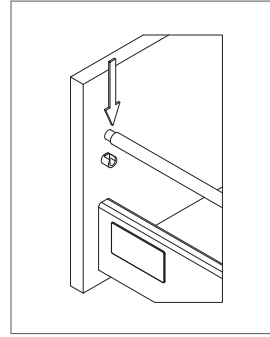
1. Insert the coupler into the front opening



2. Fasten the rail in the mounting

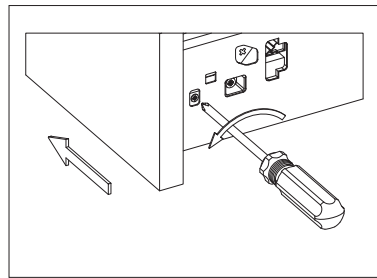
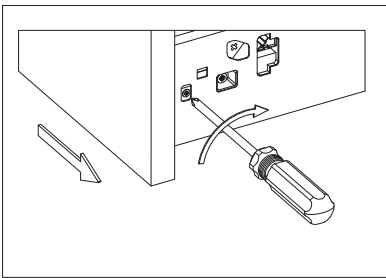


3. Insert the rail in the coupler and put on the cover

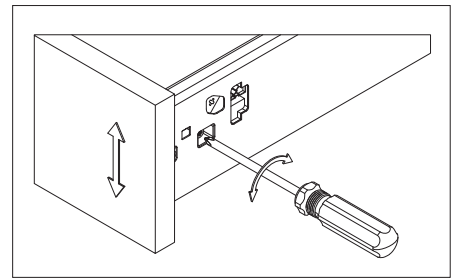


ADJUSTING THE FRONT POSITION

1. Horizontal adjustment

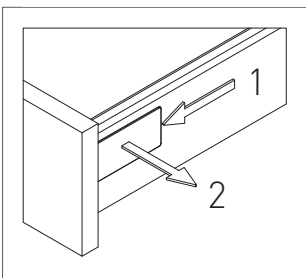


2. Vertical adjustment

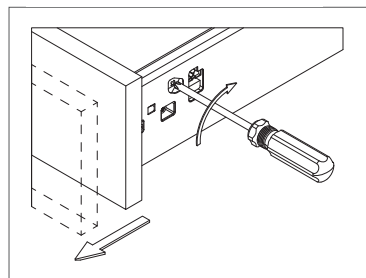


RELEASE THE DRAWER FRONT

1. Remove the cap

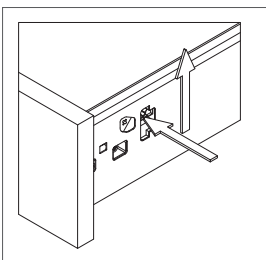


2. Screw the latch



RELEASE DRAWER FROM THE SLIDE

1. Lift the lever



2. Pull out the drawer

