

# PASSAGE SYSTEMS LOFT

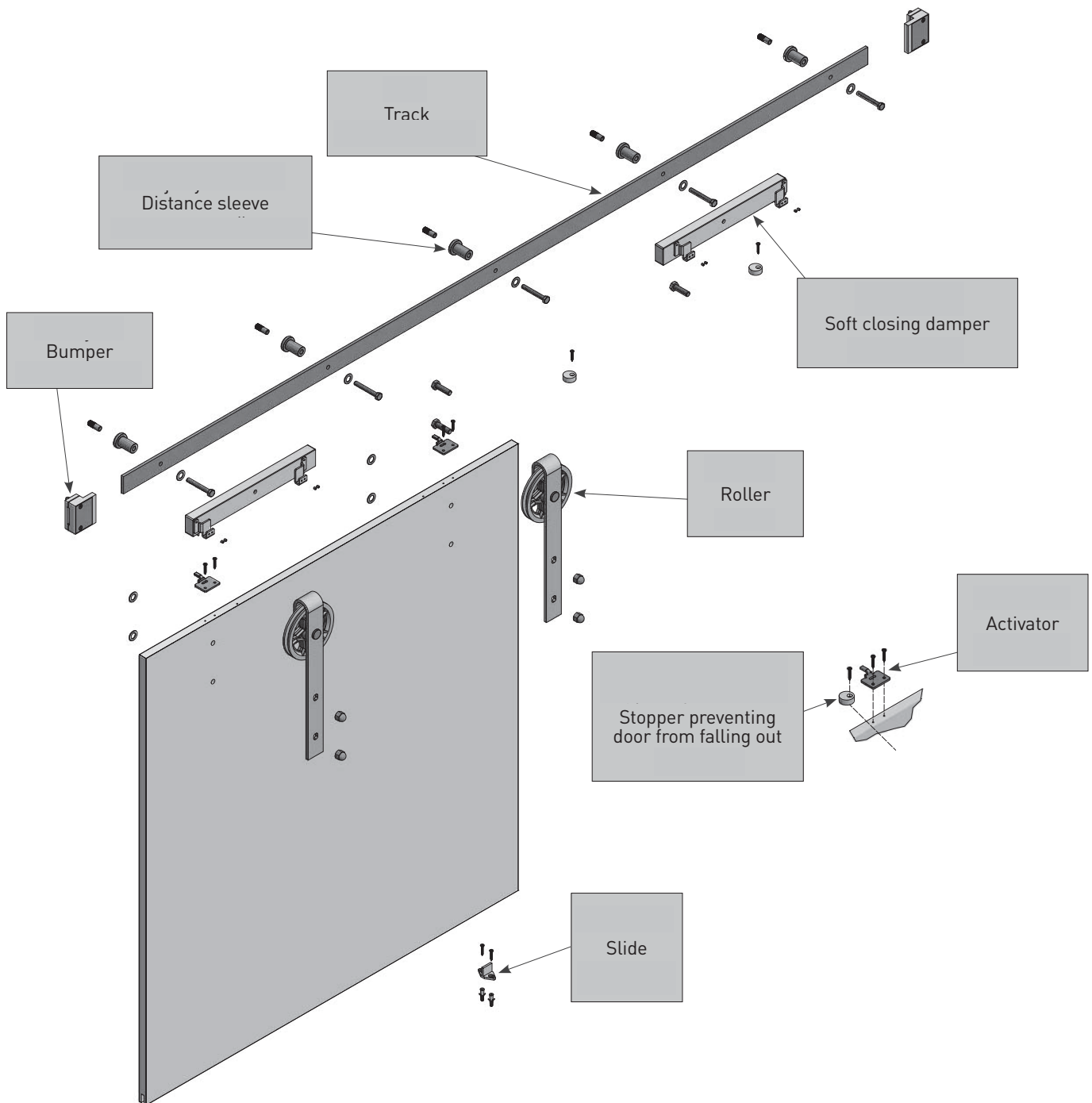
## APPLICATION

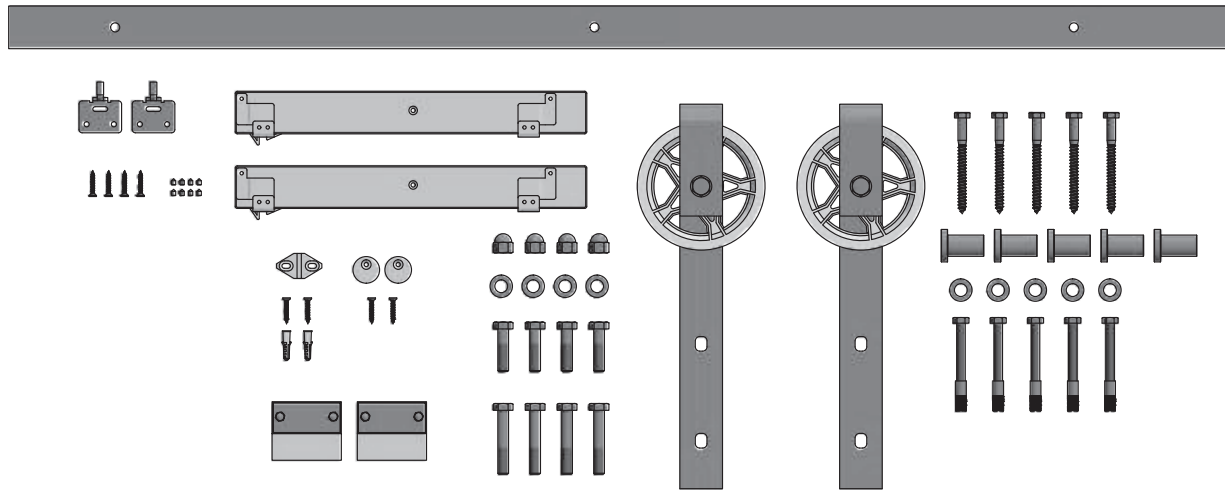


## CHARACTERISTICS



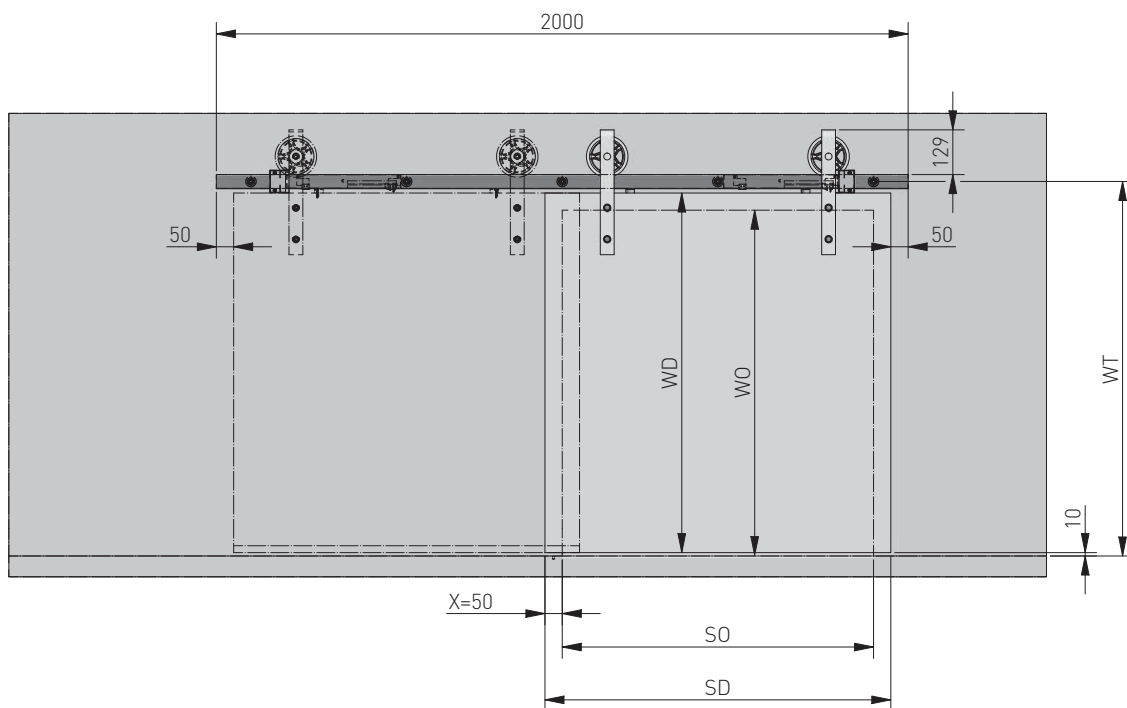
## SET INCLUDES



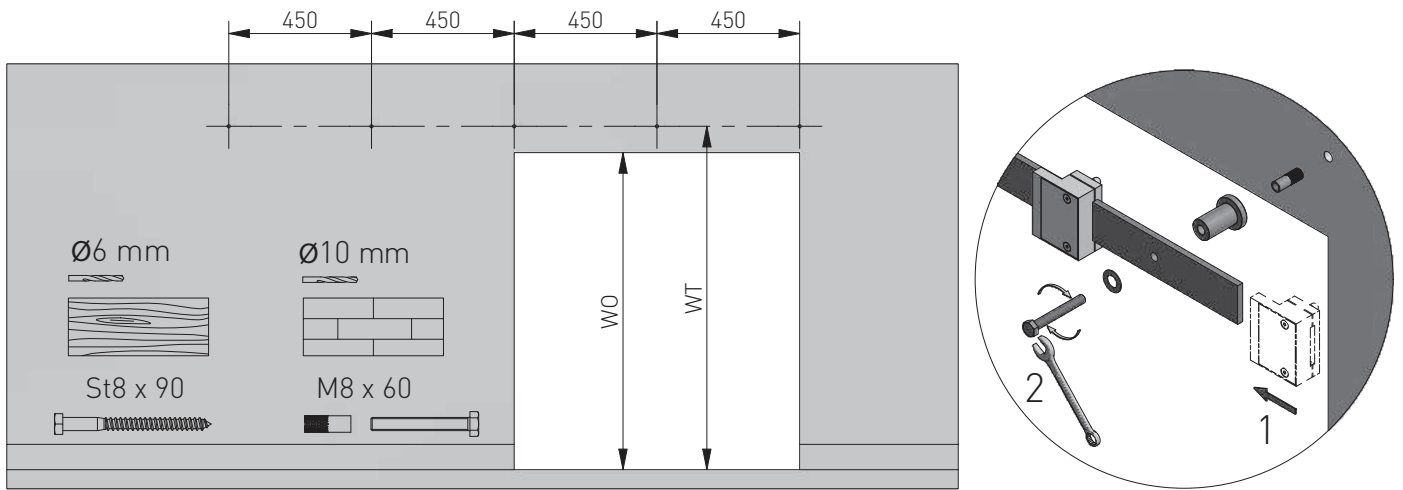


Roller 2 pcs., slide x 1, track 2 m, distance sleeve x 5, bumper x 2, stopper preventing door from falling out x 2, soft closing damper x 2, activator x 2, screw set

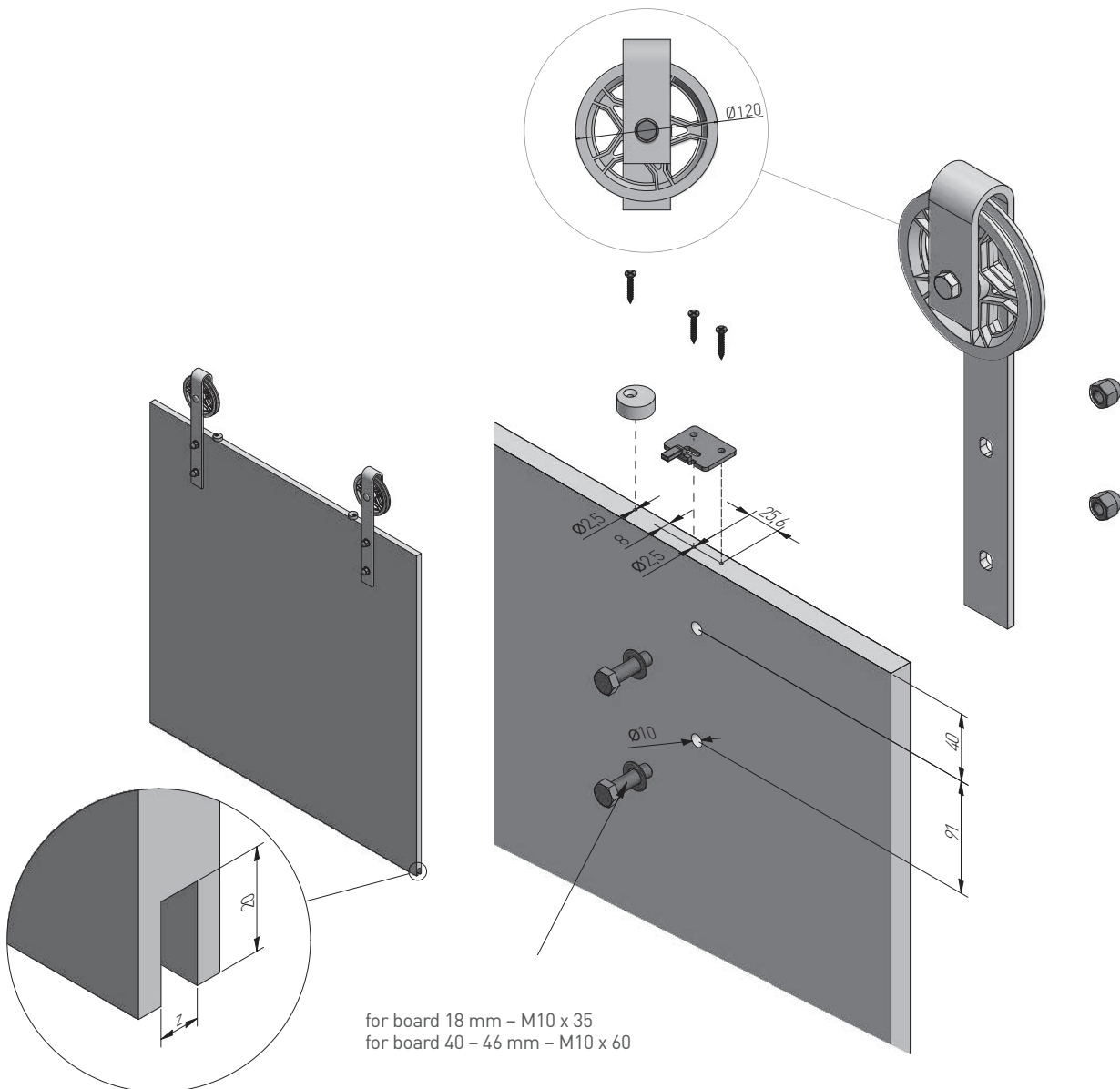
### DOOR WIDTH CALCULATIONS



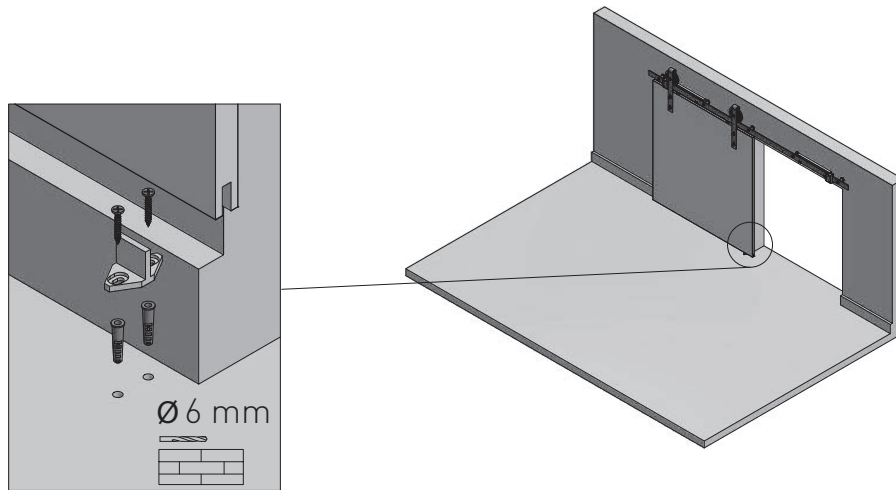
## MOUNTING DIMENSIONS



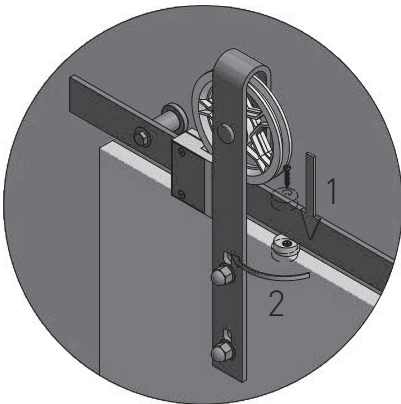
## INSTALLATION OF SYSTEM



## Slide mounting



Stopper preventing door from falling out mounting



Soft closing dampers mounting

