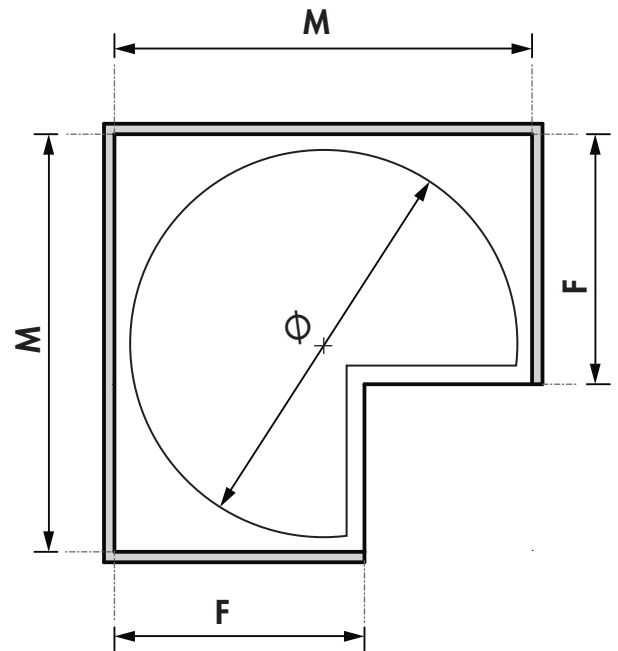
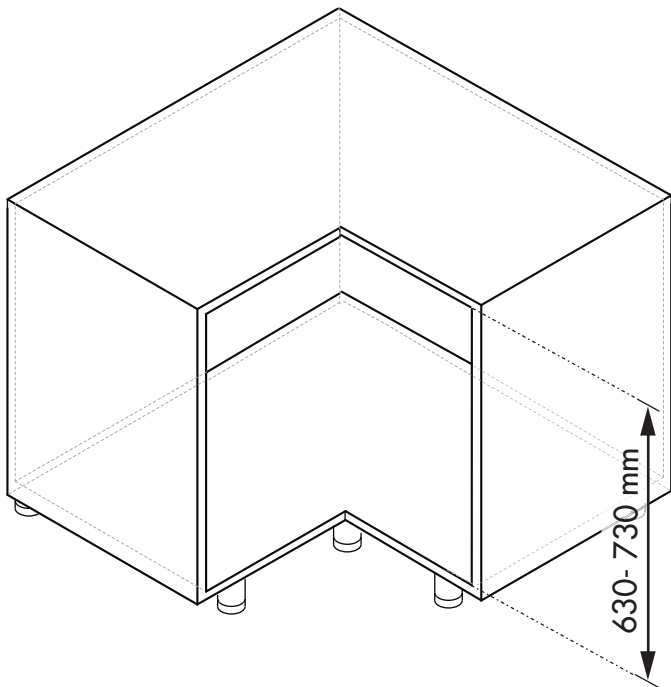
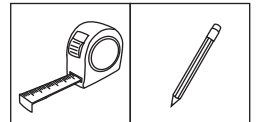


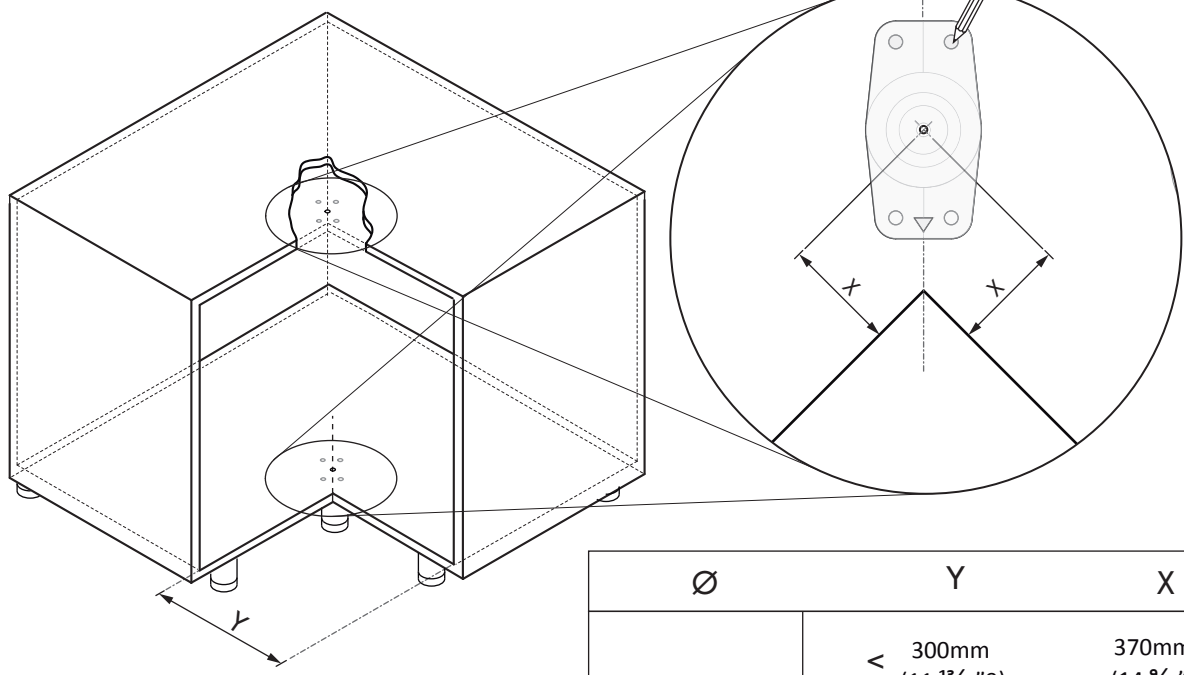
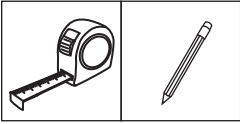
1



Ø	M	F
700 mm	min 760 mm	min 460 mm
800 mm	min 860 mm	min 510 mm

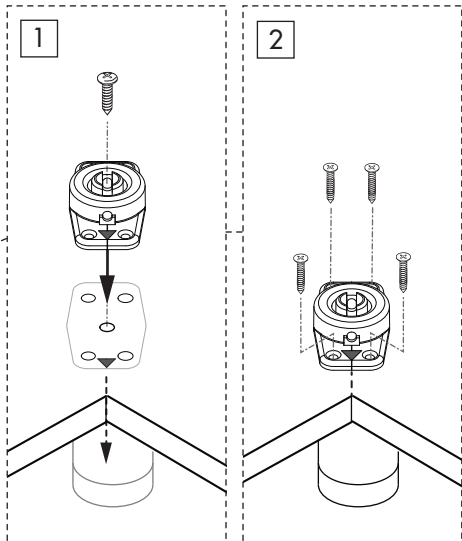
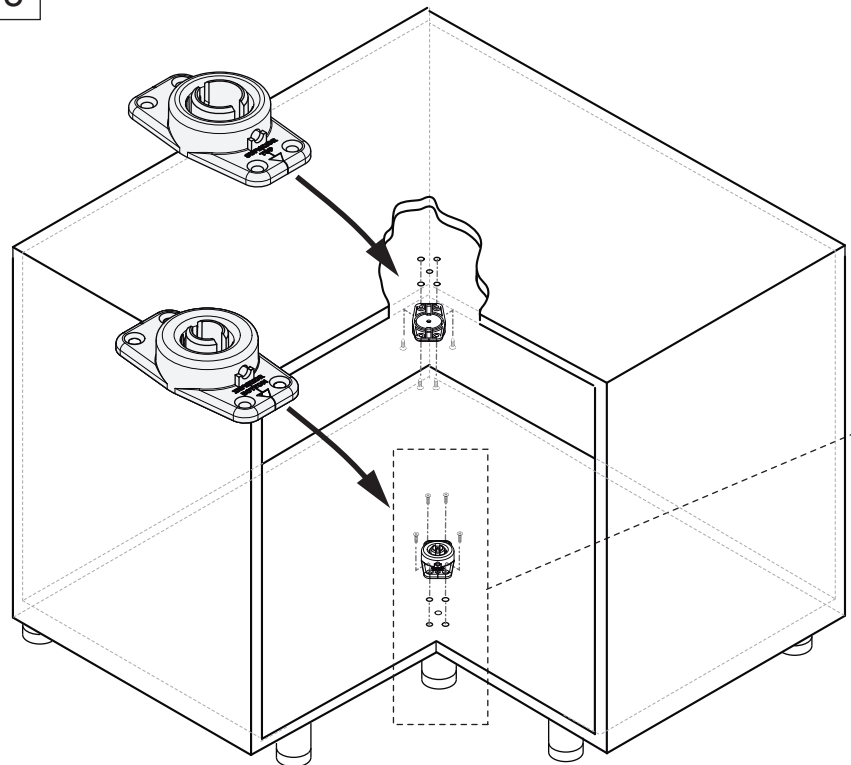
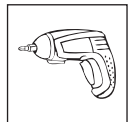
Unidades en milímetros | Units in millimeters | Unités en millimètres

2

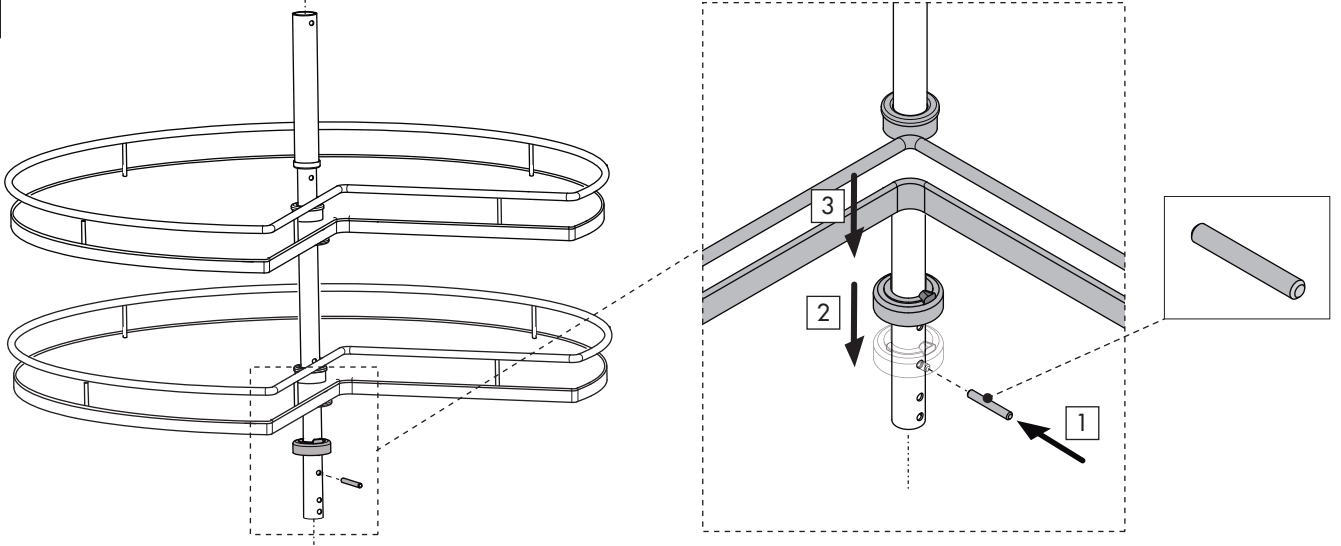


Ø	Y	X
710mm (27 15/16")	< 300mm (11 13/16")	370mm - Y (14 9/16" - Y)
	≥ 300mm (11 13/16")	90mm (3 9/16")
810mm (31 7/8")	< 350mm (13 3/4")	430mm - Y (16 15/16" - Y)
	≥ 350mm (13 3/4")	90mm (3 9/16")

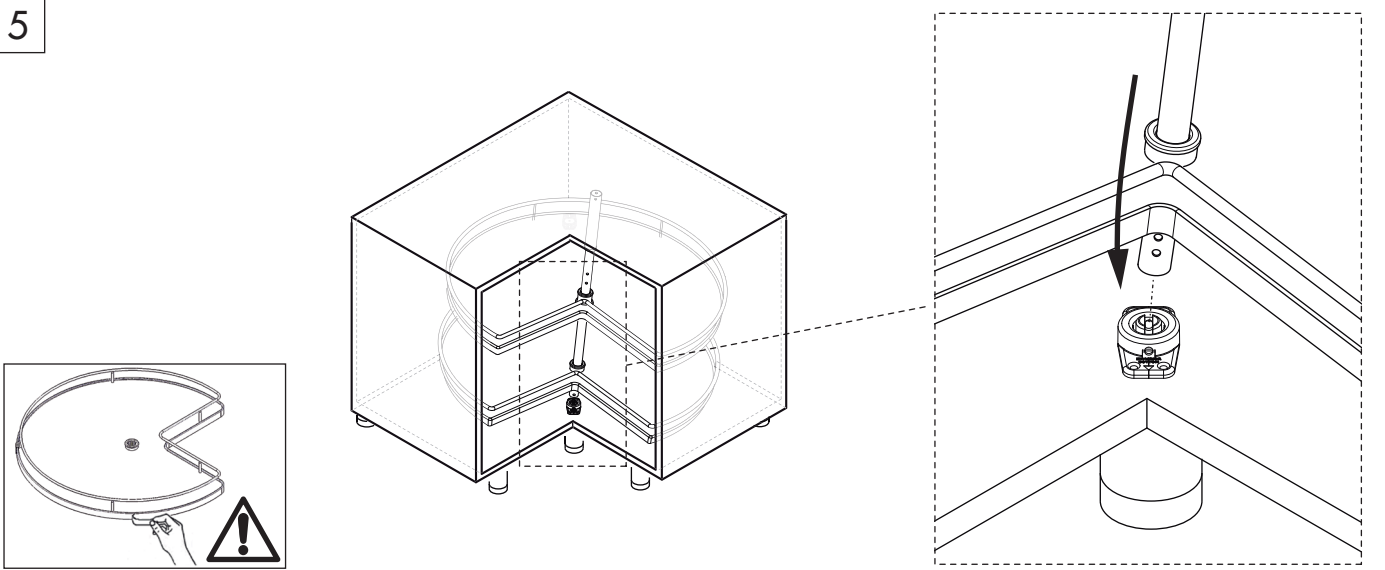
3



4



5



6

